

NetMediator TNT G5



The NetMediator TNT monitors TBOS and TABS alarms, pings network elements, acts as an 6 port terminal server, and reports via SNMP or pager.

Summary of Features

- **2 TBOS/TABS Ports**
- **Compatible with T/MonXM for environmental and ASCII monitoring**
- **Web Browser access**
- **Reports alarms directly to multiple SNMP Managers**
- **6 port terminal server with dial-up backup**
- **6 notification methods including SNMP Traps, E-mail, and paging**
- **32 discrete alarms, 32 ping alarms, 8 controls, 8 analog values, 6 serial ports (expandable to 176 alarm points)**
- **LAN based firmware downloads**
- **Free lifetime firmware upgrades**
- **Free Windows utility for off-site editing and storage**
- **Dual power feeds**

Overview

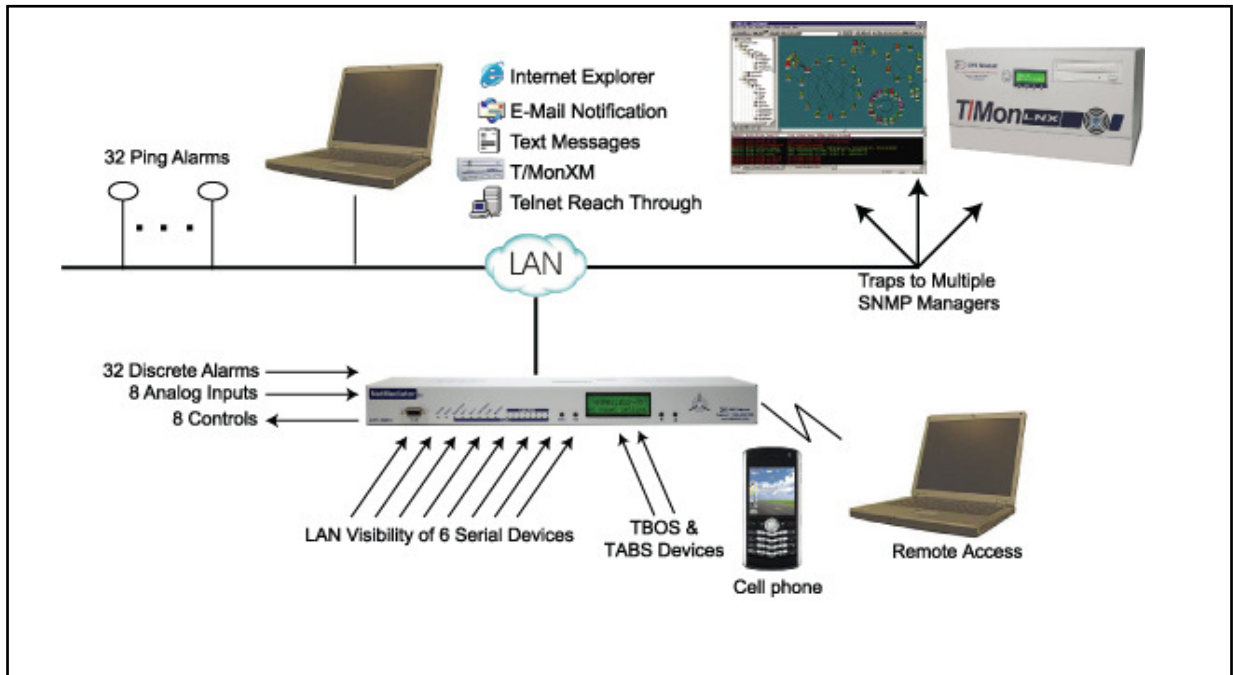
The NetMediator TNT is a powerful, compact LAN-based alarm collector that provides network managers with remote visibility of their IP network elements. With 32 ping alarms, 32 discrete alarms, 8 analog inputs, and 8 controls, this versatile unit is the ideal network monitoring solution.

If an element fails to respond to successive pings, or if anything goes wrong with the environmental controls, the NetMediator TNT notifies personnel using a variety of methods with a complete status message. Notification types include SNMP Traps, alphanumeric pager, numeric pager, text message, TCP text, T/Mon, and Email. The unit also stores up to 100 events in its event log.

In addition to network and environmental alarms and controls, the NetMediator also acts as a terminal server for 6 serial ports, thereby eliminating the need for dedicated circuits and the recurring monthly costs associated with such transports.

To provision the NetMediator TNT, you'll use the TTY interface to assign the unit an IP address. The integrated Web Browser allows you to monitor alarm status from any PC on your network. The entire configuration is saved on the NetMediator TNT where it remains secure through power outages in non-volatile RAM.

The versatility, capacity, and reliability of the NetMediator TNT are the reasons why it is the standard for network alarm monitoring needs.

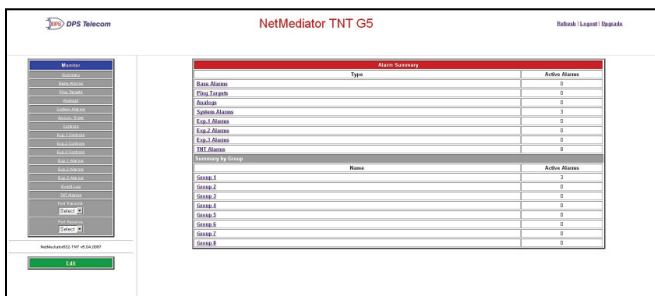


The NetMediator TNT monitors IP aware devices' network presence as well as interfaces discrete alarm points and controls at network sites.

Software Interfaces

Web Browser

The NetMediator offers a Web Browser interface for easy and convenient alarm management and unit configuration via Internet or Intranet. The user friendly interface allows complete access to all the functions of the unit and enables the user to quickly set up alarm point descriptions, view alarm status, issue controls, and configure paging information, as well as additional options.



View and configure the NetMediator via Internet Explorer or Netscape Navigator over LAN.

TTY

In addition to the Web Browser interface, the NetMediator provides a menu-style TTY interface for basic configuration, which may be accessed via the craft port, dial-up port or Telnet session via LAN.

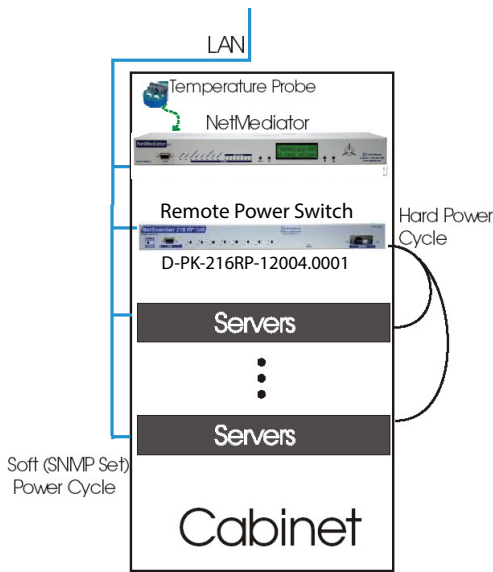
Communication Mediums

The NetMediator TNT reports discrete alarms, relay status, analog alarms, and network equipment failures over the LAN/WAN to an SNMP manager or to the DPS Telecom T/Mon Network Alarm Management System.

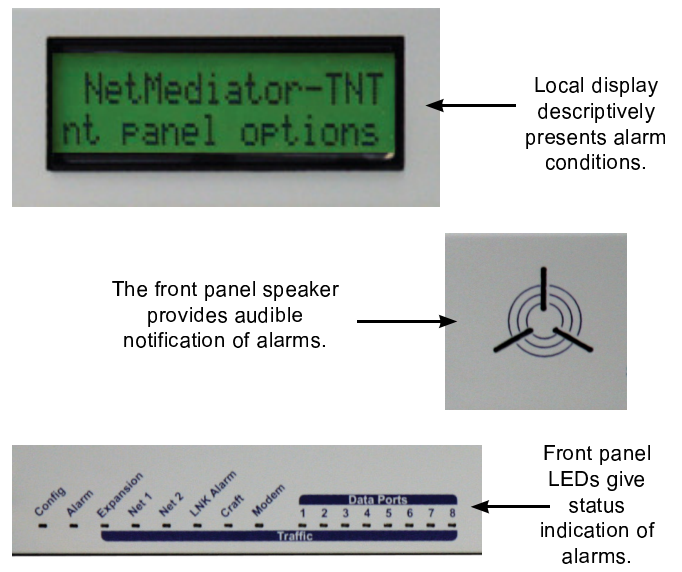
- **SNMP Trap Reporting** - The NetMediator can report directly to an SNMP Manager and will respond to SNMP queries and commands. Multiple SNMP managers at multiple IP addresses are also supported by the NetMediator. Communication may be achieved via PPP (dial-up) or LAN.
- **T/Mon Support** - The NetMediator TNT can also report to a DP Telecom T/Mon Network Alarm Management System via LAN and dedicated serial communications links. In case of primary path failure, the system will automatically fall back to the alternate path dial-up, ensuring alarm data won't be lost when it's needed most. The modems can also be used as the primary communication method for "Off Net" sites.

Reach-Through Ports

Both firmware types permit the establishment of multiple Telnet sessions and a dial-up session to connect serial ports connected to the administration ports of your network equipment. This gives your



One version of the NetMediator (P/N D-PK-NM832-12007) supports high-temp soft & hard shutdown mechanics.



The front panel provides audible notification, an LCD screen, and LED status indicators.

staff the ability to assess and repair your network faster without having to be physically present at the network site. It is also cost effective because there is no need to purchase a dedicated terminal server.

Upgradable Firmware

The NetMediator TNT supports downloadable firmware. This allows future software enhancements to be easily loaded into the system without re-entering provisioned information or replacing chips. Firmware updates can be locally initiated from the front panel craft port or remotely via LAN using NGLoader software.

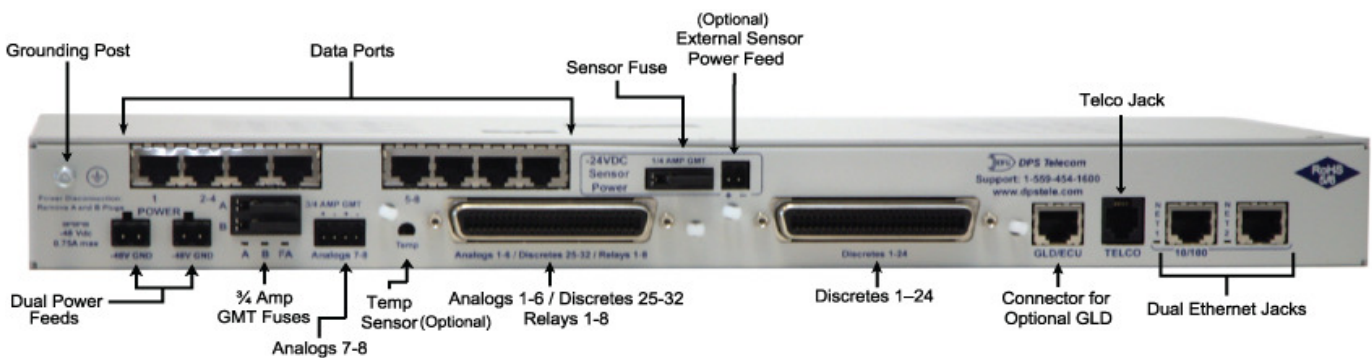
NMETTG5

NMETTG5 allows you to create configuration files without being connected to the NetMediator. Download the files to the NetMediator via LAN or upload current files for backup.

Additional Features

The following features are available for the NetMediator:

- **Built-in sensor power supply** - Eliminates the need for an additional power supply for your sensors .
- **Dual power feeds** - Provides an alternate power input in the event one power source fails.
- **Real-time clock** - Ensures accurate date/time stamps in SNMP Traps
- **Optional integrated temperature and battery sensors** - Eliminates the cost and setup time of installing external sensors.



NetMediator rear view featuring easy-to-use connectorization.

Accessories

NetGuardian DX Expansions

Up to 3 NetGuardian DX expansions can be added to monitor sites with higher point capacity requirements.



Unit	Capacity
Base NG	32
1 DX	80
2 DX	128
3 DX	176

Hinged Back Panels

The hinged **wire wrap** and **pluggable back panels** offers alternate connectivity options.



Pluggable Back Panel

Wire Wrap Back Panel



Temperature Sensor

Circular Analog temperature sensor with probe. Monitors from -20F to 180F. 8.5 to 35VDC. Can be directly powered by either the integrated 12V or 24V sensor power supply of the NetMediator.

D-PK-SENSR-12004.00001



AC Wall Transformer

Transformer that converts 110/220VAC to -48VDC on a 4 Pin WAGO connector to power the NetMediator. Provides a positively locking power connection into the unit. D-PR-108-10A-06 (WAGO) or D-PR-108-10A-02



(WAGO shown)

Specifications

Dimensions:	1.75" H x 17" W x 12" D (4.5 cm x 43.2 cm x 30.5 cm)
Weight:	4 lbs. 3 oz. (1.9 kg)
Mounting:	19" or 23" rack
Power Input:	-48VDC (-40 to -70VDC)
Current draw:	200mA
Interfaces:	9 RJ45 Yost serial ports (3 RS485, 6 RS232) 2 RJ45 Ethernet 10baseT port 1 RJ11 Telco jack 2 50-pin Amphenol connectors (for discretes, controls, analogs) 1 4-pin screw connector (analog)
Protocols:	SNMPv1, SNMPv2c, SNMPv3, DCPx, DCPf, TRIP, SNPP, SMTP, TAP, HTTP, FTP, Telnet, ICMP, RADIUS, TBOS, TABS
Modem:	33.6K internal

TBOS / TABS ports:	2 (8 displays each)
Discrete Alarm Points:	32
Analog Alarms:	8
Input Range:	-94 to +94 VDC or 4 to 20 mA
Control Outputs:	Relay contacts, 8 each Form A (N/O, N/C selectable) Max. Voltage = 60 VDC/120VAC Max. Current = 1 Amp, AC/DC
Ping Alarms:	32
Power Output:	12 or 24VDC for external sensor
Oper. Temperature:	32° to 140°F (0° - 60°C)
Oper. Humidity:	0% to 95% non-condensing
Fuse:	3/4 Amp GMT for power inputs 1/4 Amp GMT for ext. sensor power
Audible Notification:	Alarm speaker
RoHS:	5 of 6

Ordering Options

D-PK-NM832-12004.00003 Mediates 32 alarm points and reports DCPX to a DPS master. This device also collects up to 2 ports (7&8) of TBOS/TABS (up to 8 displays per port). Supports TBOS & TABS controls. Has 6 RS232 serial ports (ports 1-6) that users can Telnet through or access via 33.6 modem. Serial ports use RJ45 connectors. Operate 8 relays via remote command from a DPS Manager. Includes windows based configuration utility to map TBOS devices. Equipped with -24VDC sensor power supply and real-time clock. Specifications: 1 RS485 BAS expansion port (not 1 of the 8 serials). Dual Feed -48VDC, ground isolated, Dual 10/100 BaseT LAN interfaces, 1 RU device, 23" rack mountable, LCD display, firmware downloadable. Screw Lug connectors for analog channel 7&8.

D-PK-NM832-12007.00002 Mediates 32 alarm points and reports DCPx to a DPS master. Contains special firmware that **supports high temp shut down of servers** via console commands and communicates with specific AC power switching devices via SNMP. Collects up to 2 ports (7&8) of TBOS/TABS (up to 8 displays/port). Supports TBOS & TABS controls. Has 6 RS232 serial ports (ports 1-6) that users can Telnet through or access via 33.6 modem. Serial ports use RJ45 connectors. Allows you to operate 8 relays via remote command from a DPS Manager. Includes windows based configuration utility to map TBOS devices. -24VDC sensor power supply and real-time clock.

Call 1-800-622-3314 for Pricing

Visit our website at www.dpstele.com

4955 East Yale Avenue, Fresno, California 93727 • 800-622-3314 • Fax 559-454-1688