

NetGuardian-16S

16 Reach-Through Ports in Our Most Powerful RTU Ever



With 16 serial ports, integrated local audiovisual notification, two separate NICs, powerful alarm collection and versatile alarm reporting via SNMP Trap, email and pager, the NetGuardian-16S can handle any alarm monitoring need

NetGuardian-16S Benefits

- 16-port terminal server provides LAN Telnet access to remote equipment
- Integrated Building Status Unit provides local alarm visibility
- Dual NIC for multiple network support
- 32 discrete alarms, 32 ping alarms, 8 analog alarms and 8 control relays
- Web interface: monitor without a master
- 24/7 alarm notification via email and alphanumeric pager
- Expand to 176 discretes/32 control relays with NetGuardian Expansion Units
- NEBS compliant
- Supports SNMP v2c Informs, v2c Traps and v1 Traps
- Free lifetime firmware upgrades
- 2-year hardware warranty
- NO RISK, MONEY BACK GUARANTEE

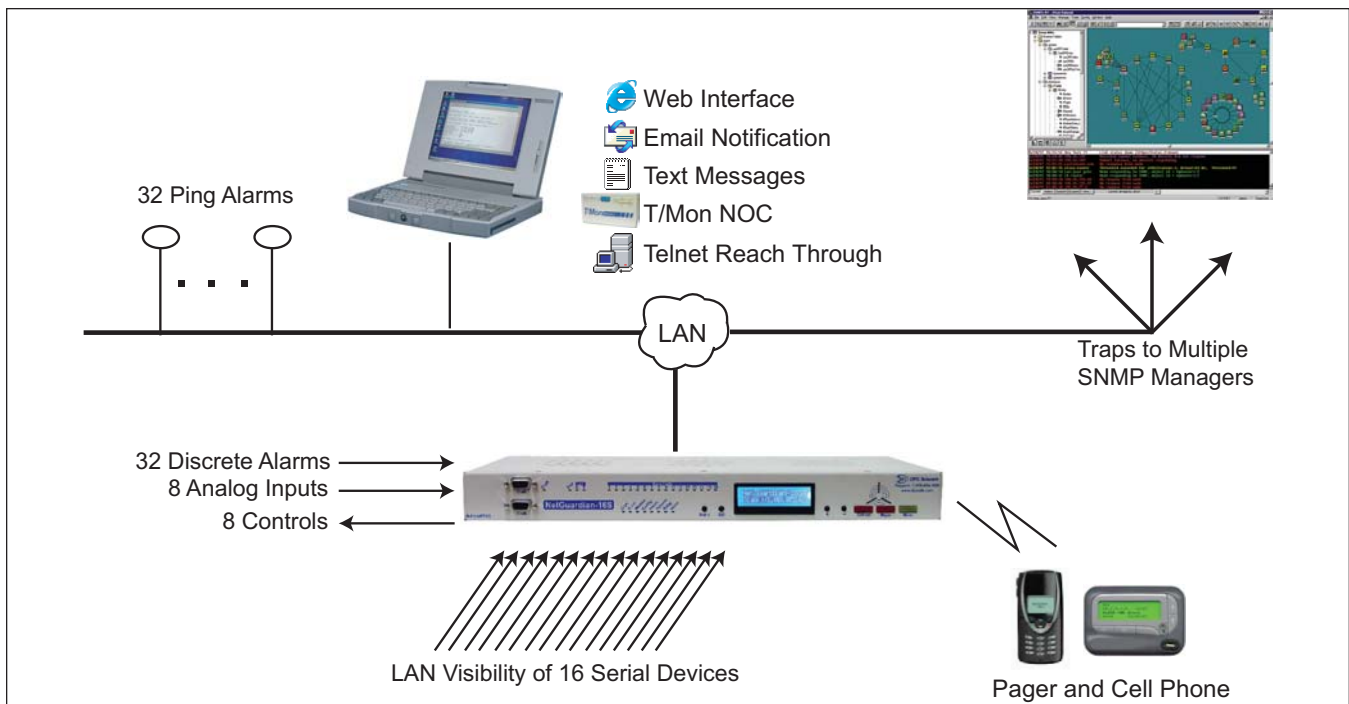
NetGuardian-16S Overview

The new NetGuardian-16S is DPS Telecom's most powerful RTU ever. Based on the proven hardware and software of the popular NetGuardian 832A, the NetGuardian-16S provides greatly expanded functionality — including a 16-port terminal server, an integrated Building Status unit, and more.

This high-capacity SNMP alarm collector incorporates many functions that previously required several separate units. But the NetGuardian-16S occupies only 1 RU on any standard 19" or 23" equipment rack, freeing valuable rack space for revenue-generating equipment.

With the NetGuardian-16S, you can:

- Connect multiple concurrent users via Telnet over LAN to up to 16 serial devices
- Notify on-site personal of Critical, Major and Minor alarms via the integrated audiovisual Building Status Unit
- Connect the NetGuardian-16S to two separate Ethernet connections, each with its own IP address
- Monitor 32 discrete alarms, 32 ping alarms, and 8 analog alarms
- Control remote site equipment via 8 control relays
- Monitor your remote site from anywhere using the NetGuardian-16S's built-in Web Browser Interface
- Automatically send pager and email alarm notifications 24 hours a day, seven days a week



The NetGuardian-16S connects remote users to 16 on-site serial devices; monitors 32 ping targets, 32 discrete alarms,; operates 8 control relays; and reports to multiple SNMP managers, T/Mon NOC, and your cell phone, pager and email

Connect via LAN to remote site equipment

The NetGuardian-16S's 16 reach-through serial ports provide LAN-based terminal server access to up to 16 serial devices. Multiple users can connect to the NetGuardian-16S simultaneously via Telnet over LAN to connect and control telecom switches, servers, radios, multiplexers, PBXs and many other types of remote site equipment.

Dedicated NetGuardian DX Expansion port

The NetGuardian-16S features a dedicated NetGuardian DX Expansion Unit port, so you can expand your alarm monitoring capacity without sacrificing one of your 16 serial ports.

Integrated Building Status Unit

The NetGuardian-16S incorporates an audiovisual alarm status panel that provides on-site personnel with immediate notification of Critical, Major and Minor alarms, incorporating the functions of DPS Telecom's popular Building Status Unit (BSU).

The NetGuardian-16S's integrated BSU, along with its powerful alarm collection and versatile alarm reporting, makes it the ideal RTU for any application that requires local alarm notification.

Dual NIC security model

For enhanced security, the NetGuardian-16S has two separate NICs. This allows you to connect the NetGuardian-16S to two separate networks, and allows users on separate networks to access the same unit.

Complete site management

Designed to help you manage every aspect of your remote sites, the NetGuardian-16S gives you versatile tools to collect and display alarm data:

- Large discrete alarm capacity to monitor all your remote site equipment and infrastructure: switches, routers, multiplexers, radios, generators, batteries, commercial power, rectifiers, HVAC equipment and anything else you've got.
- Sophisticated analog alarms to monitor temperature, humidity, battery voltage levels and other environmental factors. The NetGuardian-16S's analog alarms support four separate threshold alarms (Major Under, Minor Under, Minor Over and Major Over) plus live readings of current analog measurements.
- 16 Telnet-over-LAN reach-through ports provide multiple users with easy visibility and control of remote site serial devices.

Stand-alone monitoring via Web Interface

You don't need an alarm master unit to monitor your site with the NetGuardian-16S. With the NetGuardian-16S's built-in Web Browser Interface, you can access the NetGuardian-16S, view and acknowledge alarms and control remote site devices from any computer anywhere in your network.

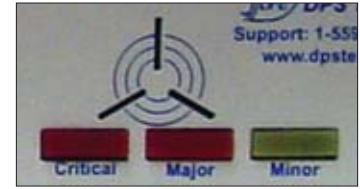
24/7 pager and email alerts

Out of the box, the NetGuardian-16S supports 24/7 pager and email reporting. Send alarms directly to maintenance technicians in the field, even when no one's in the office.

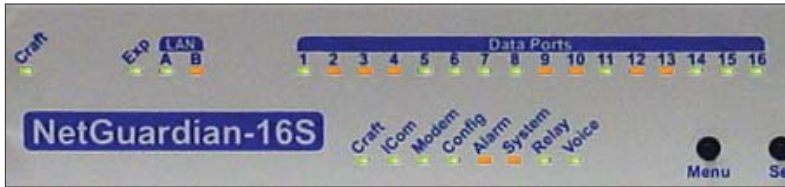


Front panel LCD provides local alarm descriptions

Integrated Building Status Unit provides local audiovisual notification



Front panel LEDs indicate alarm and communication status



The NetGuardian front panel provides audiovisual notification, an LCD menu, and LED status indicators for simple, detailed, and fast diagnosis.

Reports to multiple SNMP managers and T/Mon NOC simultaneously

The NetGuardian-16S reports to both the T/Mon NOC Alarm Monitoring System and any SNMP manager. You can send alarms from the NetGuardian-16S to T/Mon NOC and multiple SNMP managers at multiple IP addresses simultaneously.

NEBS-compliant for guaranteed reliability

The NetGuardian-16S is compliant with NEBS Level 3 electrical, environmental and safety standards. NEBS-certified NetGuardian-16S models are available as an option.

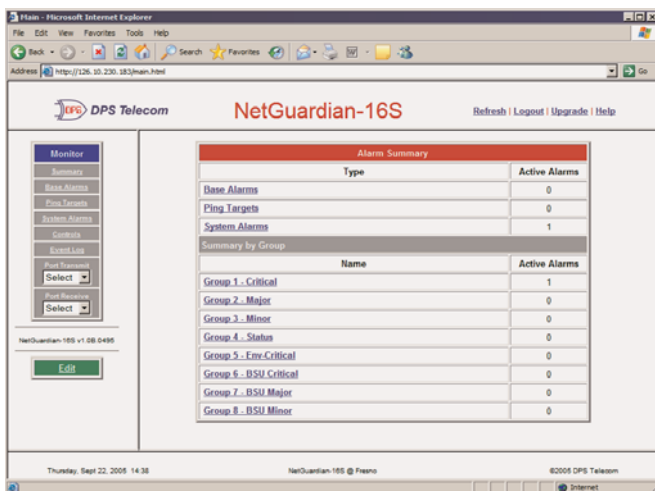
SNMP v2c Informs for robust message delivery

The NetGuardian-16S supports SNMP v2c Informs, as well as SNMP v2c and v1Traps. SNMP v2c Inform messages provide confirmed delivery of alarms. When an SNMP manager receives an Inform message, it sends a confirmation response to the SNMP agent. If the agent doesn't receive the confirmation response, it resends the Inform.

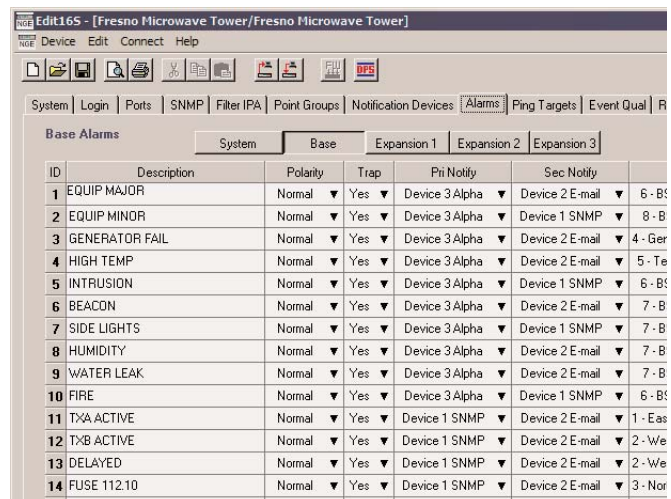
Alarm point grouping: Severity levels, custom virtual alarms and more

Each NetGuardian-16S alarm can be assigned to any of 8 user-defined groups, adding amazing flexibility to how you view and use your alarm data:

- **Custom Alarm Grouping:** Organize your alarms by location, equipment type, severity, or any other criteria
- **Alarm Severity Levels:** Alarm severity levels are included in the SNMP Traps and Informs, so you can sort alarms by severity even if your SNMP manager doesn't.
- **Custom Virtual Alarms:** Create custom virtual alarms based on easy formulas like "Critical power alarms."
- **Custom Derived Controls:** Create control formulas like "Turn on generator if any battery analog alarm reaches minor low threshold."
- **Granular Pager and Email Notification:** Assign alarm points to specific pager and email recipients. Get paged only for Critical or Major alarms, send power alarms to repair technicians and intrusion alarms to security.



Monitor independently from any computer via Web Interface



Configure via LAN with included Windows provisioning utility

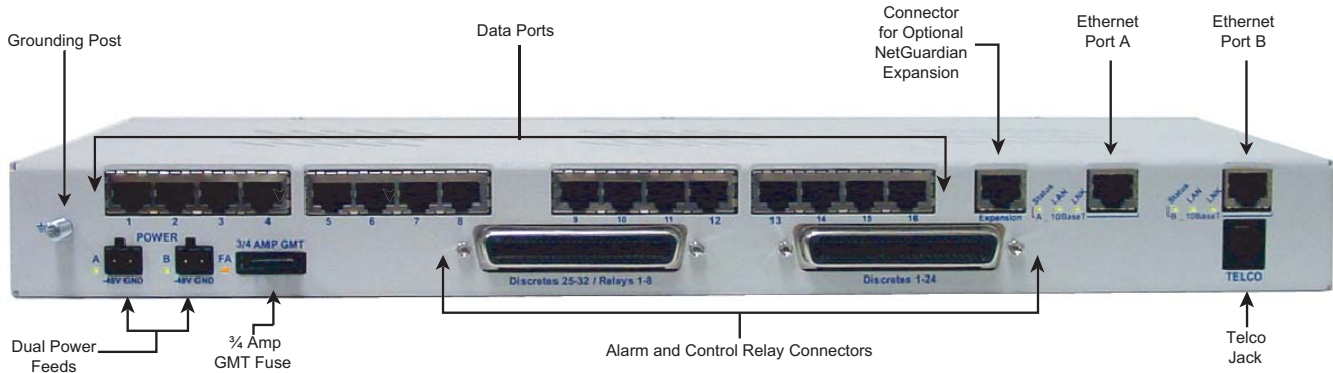
NetGuardian DX Expansion Units

Expand your alarm monitoring capacity with NetGuardian DX Expansion Units. Each NetGuardian DX adds 48 discrete points, or 48 alarm points and 8 control relays.



Unit	Discretes	Relays
Base NG-16S	32	8
1 DX	80	16
2 DX	128	24
3 DX	176	32

Specifications



- Discrete Alarm Inputs:** 32 (reversible)
- Analog Inputs:** 8
 - Analog Input Range:** -94 to +94 VDC or 4 to 20 mA
- Control Relays:** 8 Form C
 - Maximum Voltage:** 60 VDC/120 VAC
 - Maximum Current:** 1 Amp, AC/DC
- Expansion Options:** 80, 138 or 176 discrete alarms
16, 24 or 32 control relays
- Protocols:** SNMP, DCPx (T/Mon NOC)
- Interfaces:** 16 RJ45 RS-232 serial ports
2 50-pin connectors
2 RJ45 10BaseT Ethernet ports
1 RJ45 NetGuardian DX port
1 RJ11 telco jack
2 DB9F craft ports

- Dimensions:** 1.75" H (1RU) x 8" W x 6" D (4.5 cm x 20.3 cm x 15.2 cm)
- Mounting:** 19" or 23" rack
- Power Input:** Dual -48 VDC (-40 to -70VDC)
- Current Draw:** 200 mA (350 mA at power-up)
- Fuses:** 3/4 Amp GMT
- Modem:** 33.6K Internal
- Visual Interface:** LCD Display
3 alarm status lights
30 bicolor LEDs
7 unicolor LEDs
- Audible Notification:** Alarm speaker
- Unit Controls:** 4 LCD menu control buttons
- Hardware Warranty:** 2 years
- Operating Temperature:** 32°-140° F (0°-60° C)
- Operating Humidity:** 0%-95% noncondensing

Call 1-800-622-3314 for Pricing

All units are custom built to order. Allow 2-4 weeks for delivery.

All DPS Telecom products are backed by our 30-Day, No-Risk Guarantee:

“If you buy our equipment and are not satisfied for any reason during the first 30 days, simply return it for a full refund.”

Visit our Web site at www.dpstelecom.com

4955 East Yale Avenue, Fresno, California 93727 • 800-622-3314 • Fax 559-454-1688