

Remote Power Switch AB6 (DC)



Deploy this power controller at critical locations to switch on, switch off, and reboot all your DC-powered equipment from miles away.

Benefits of Using the Remote Power Switch AB6

- Power distribution panel that allows you to remotely switch on/off and reboot equipment
- Redundant -48vdc power inputs (-35 to -56 vdc)
- D-Wire option
- Each of the 2 inputs services 6 outputs (ideal for connecting devices with two redundant power supplies)
- A&B source feed voltage monitoring
- Sequenced power-on to reduce power-on surges
- Convenient front-panel fuses, and dual input breakers
- LEDs indicate when power off/fuse blown
- Unique SNMP traps sent when power relay activated/deactivated, individual fuses blown, or input power lost.
- Secure web browsing (via SSL encryption) for security-conscious organizations

Overview

If you've ever had to jump in your truck and drive hours to a site to reboot jammed equipment, you already know exactly why you need the Remote Power Switch AB6. With this power switch, you'll power on/off and reboot all your critical devices - right from your desk.

Using any PC on your network, you can toggle power to any of the power output relays - all without rolling a single truck. The web browser supports HTTPS (via SSL encryption), allowing you to browse securely.

Each of the 12 power relays may be turned on, turned off, or reset via SNMP SET commands. You may choose to receive SNMP trap notifications (v1, v2c, or v3) when one of the power relays is toggled on or off, a fuse is blown, or one of the inputs loses power.

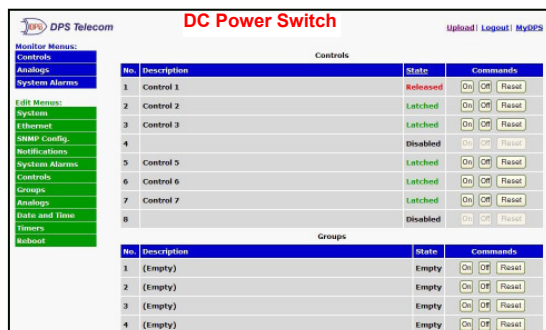
The Remote Power Switch AB6 is NEBS 3 compliant for high reliability in industrial environments. Each of the 12 power relays supports up to 10 amps of current draw (40-amp max. per 6-output side).

For added convenience, all fuses and both input breakers are accessible from the front panel.

A front-panel RS-232 Craft port allows for initial unit provisioning, while a LAN-accessible web interface provides an easy way to remotely provision, monitor, and control the Remote Power Switch.

Up to ten usernames & passwords may be created, with the ability to define varying access levels. User accounts may be modified, suspended, or deactivated at any time by an administrator. You can even enforce regularly scheduled password changes.

An audit log captures attempts to logon, access security files, or change the unit's configuration. A custom message may also be uploaded for display to users at the logon prompt. Finally, access may be restricted to certain IP addresses using the "Filter IPs" table.



DC Power Switch			
No.	Description	Status	Commands
1	Control 1	Released	On Off Reset
2	Control 2	Latched	On Off Reset
3	Control 3	Latched	On Off Reset
4	Control 4	Disabled	On Off Reset
5	Control 5	Latched	On Off Reset
6	Control 6	Latched	On Off Reset
7	Control 7	Latched	On Off Reset
8	Control 8	Disabled	On Off Reset

The Remote Power Switch features an integrated web browser.



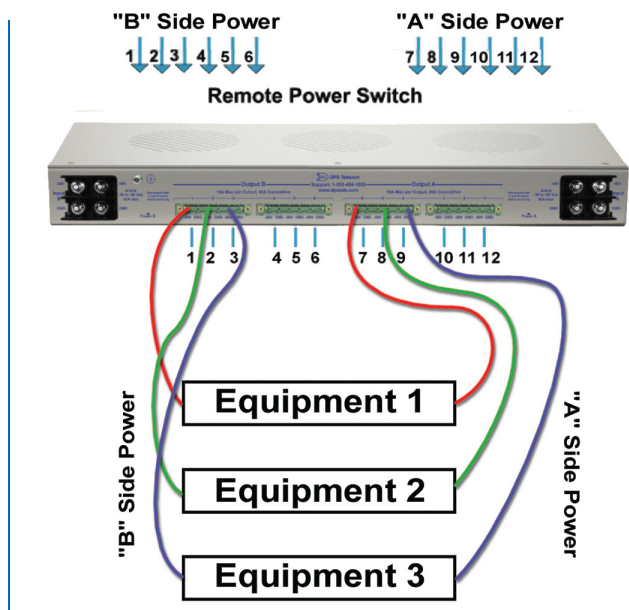
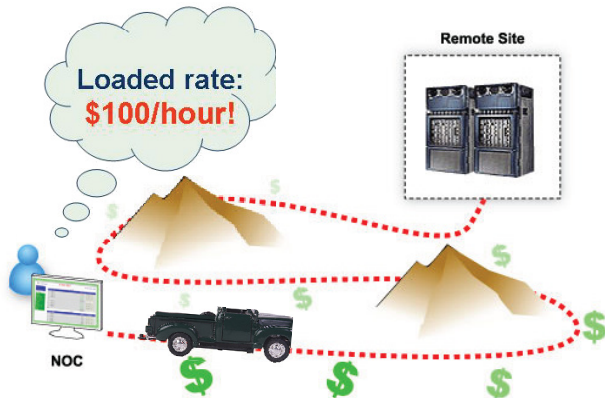
Back Panel View

These connectors provide the power input for your DC-powered devices. This smart fuse panel gives you ultimate control - right from your Central Office.

Common Uses for the Remote Power Switch

Use the Remote Power Switch to replace those expensive truck rolls with a few clicks in your web browser for equipment like:

- **Routers and switches**
- **Transport equipment**
- **Remote telemetry units (RTUs)**
- **Cameras**
- **Other non-networked, non-SNMP devices**



Remote Power Switch using half of its capacity to power 3 dual-power-supply servers.

Specifications

- -48vdc source power (-36 to -55 vdc)
- 2 40-amp feeds, studded terminal blocks accepting up to #6 AWG wire
- 6 10-amp outputs per feed (Each set of 6 outputs cannot exceed 40 total amps). The 12 outputs accept up to #12 AWG wire
- 1 - 10/100BaseT LAN port
- 1 DB9 - RS232craft port
- Secure Web interface via SSL encryption
- Control commands include: On, Off, and Reset (off-on)

- TTY interface for turn-up and DC switch control
- Firmware upgradeable via serial or LAN
- 19" or 23" Rack-mountable - Just 1 RU (supports flush & protection mounting)
- 4 spare fuse holders
- Fuse type: GMT (fuses not included)
- Power-main voltage monitoring (monitor voltage of each feed, including whether it's powered or not)



Call 1-800-622-3314 For Pricing

"If you buy our equipment and are not satisfied for any reason during the first 30 days, simply return it for a full refund."

Visit our website at www.dpstele.com

4955 East Yale Avenue, Fresno, California 93727 • 800-622-3314 • Fax 559-454-1688