

Building Access 32 (BACTL)

High-Density Door Control that Integrates with T/Mon LNX, Your Door Access Controller, and Proxy Reader



Comprehensive Access Management: Control and regulate up to 32 door entry points

Features:

- Controls up to 32 doors
- Supports keypad and proximity card authentication methods
- Easy RJ45 connections, so you can terminate and install cables quickly
- Works with intelligent door controllers, electronic door strikes, or magnetic locks
- LAN communication with T/Mon -- use your existing transport to increase cost efficiency
- Logs all door access
- Grants access by user, day of the week, time of day, and location
- NO RISK, MONEY BACK GUARANTEE

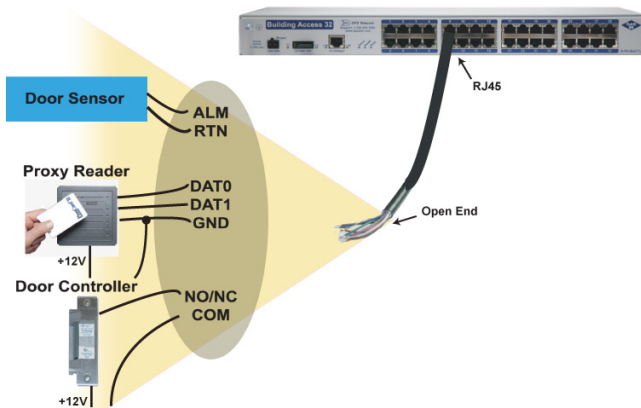
Overview

The Building Access 32 is ideal for high-density scenarios where you have a lot of doors to control and monitor.

The Building Access 32 does not require external Entry Control Units (ECUs) to be placed near each door or a NetGuardian to control access. It communicates directly with your proximity readers and door sensors. Also, because the Building Access 32 does not include the network alarm monitoring functions of a traditional RTU, it is more cost-effective at sites where you don't have telecom equipment to monitor, such as your main office or storage facilities.

When someone waves a proxy card in front of the reader, the entry code is sent to the Building Access 32. The Building Access 32 then authenticates the code to see if it is valid for that specific door at that time. If the code is valid, it issues a momentary control to unlock the door.

If a door is breached without a request for access, the BACTL sets an alarm, keeping you in the loop with the goings on in your building, without costing you a fortune.

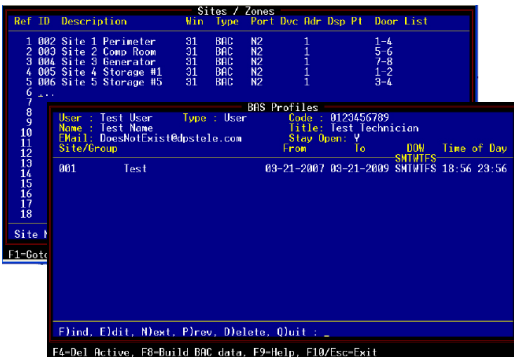


The Building Access 32 provides dry contacts to Door Sensors, Proxy Readers, and Intelligent Door Controllers.

Mon BAC1			
ID	Door	In-Facility	Relay
1	Closed	-	Rls
2	Closed	11 mins	Rls
3	Open	11 mins	Rls
4	Closed	-	Rls
5	Closed	42 mins	Rls
6	Closed	11 mins	Rls
7	Closed	-	Rls
8	Open	11 mins	Rls
9	Closed	-	Rls
10	Closed	-	Rls
11	Closed	42 mins	Rls

Access the BACTL Through the web interface to view the status of your doors or issue door controls individually.

The BACTL in Application



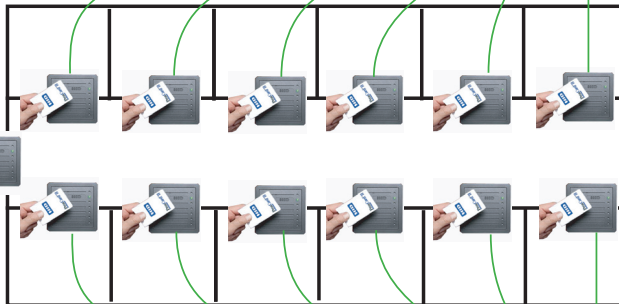
T/Mon BAS provisions BACTL units, logs door activity, and collects intrusion alarms, all in addition to normal alarm master functionality.



BACTL Processes access requests, issues momentary controls to unlock doors, and collects alarms from unauthorized access



User requests access with Proxy Card or by Powered Keypad



T/Mon Integration

While entry decisions are made by the Building Access 32, the T/Mon is notified of entry activities and logs any intrusion alarms. The T/Mon is also responsible for provisioning the Building Access 32 with valid access codes.

Because the BACTL works with T/Mon, you can make building access a part of your standard network monitoring operation, collecting door alarms as you would network alarms. Working with a building access solution in T/Mon saves you money and the frustration of learning a new, stand-alone building access solution.

Specifications

Fuse: 3/4 Amp GMT
 Power Input: -24VDC (+18 to +36 VDC)
 Optional: -48 VDC
 Temp. Range: 0° - 60°C (32° to 140° F)
 Humidity Range: 0% to 95% non-condensing
 Dimensions: 1.75”H x 17”W x 7”D
 Weight: 4 lbs.

Web Interface

The Building Access 32’s web interface allows for quick and easy access to configure your door controls. Set the length of your momentary relays (door controls) and provide default access codes without having to install third-party software.

The web interface also allows you to monitor access and operate door controls, so you can be sure who’s coming and going, from anywhere you have access to a web browser.

Interfaces: 32 RJ45 Door Connection Ports
 1 RJ45 10/100 Ethernet Port
 1 Power Connector
 1 3/4 Amp GMT Fuse Slot
 1 Craft Serial Port
 Mounting: 19” or 23” Rack
 RoHS 5/6 Compliant

Call 1-800-622-3314 for Pricing

All DPS Telecom products are backed by our 30-Day, No-Risk Guarantee:

“If you buy our equipment and are not satisfied for any reason during the first 30 days, simply return it for a full refund.”

Visit our website at www.dpstele.com
 4955 East Yale Avenue, Fresno, California 93727 • 800-622-3314 • Fax 559-454-1688