



# NetGuardian DIN

## Overview:

The NetGuardian DIN is an easy-to-install, light-capacity remote telemetry unit (RTU). This device is designed for easy installation at remote sites or inside small enclosures - making it a cost-effective device to improve visibility over critical operations in your network.

This unit is based on the time-tested NetGuardian design used in other popular, high-capacity models. The NetGuardian DIN is housed in a telco-grade, durable chassis made of aluminum. You can even put the device in a NEMA enclosure for extra durability in harsh environments.

The NetGuardian DIN allows you to receive critical alarm notifications via email or SNMP. This provides you with the flexibility to receive alerts on-the-go (via email) or to funnel alarms into your NOC (via SNMP).

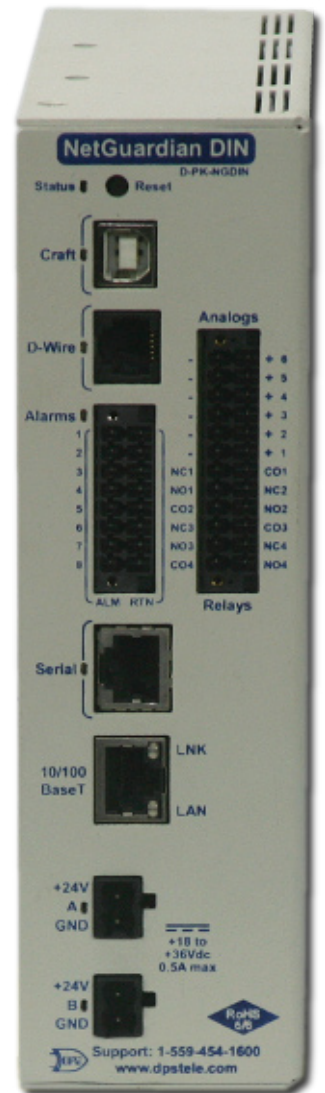
With optional Power Over Ethernet, this unit can be powered from the same Ethernet cable that's connecting the device to your network. This makes the NetGuardian DIN ideal for applications where there are no other practical power sources to operate the unit.

The bottom line is, this device is optimized to provide critical network monitoring where larger, higher-capacity units just simply aren't practical or would otherwise be overkill.

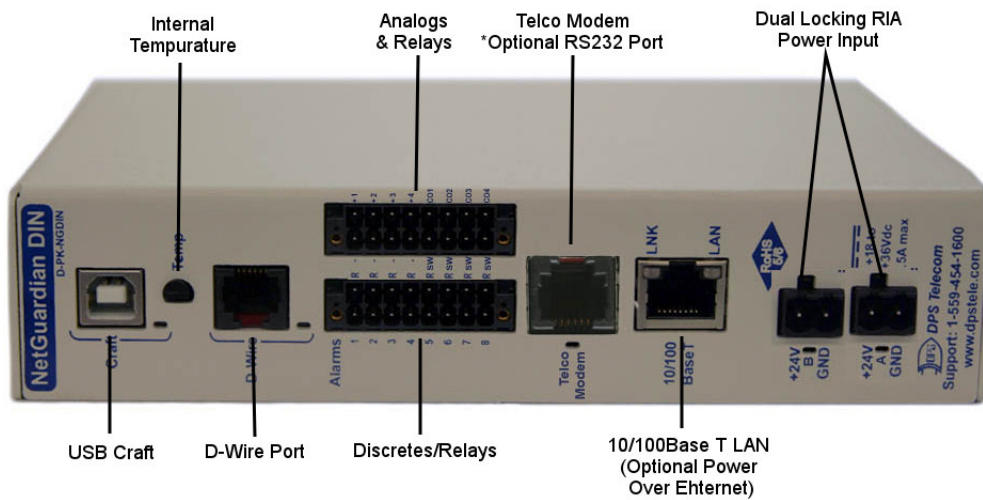
*\*Specific alarm/relay/analog capabilities depends on build option, contact sales for more information.*

## Benefits:

- Cost-effective design for smaller sites / locations
- Up to 8 easy to terminate discrete TTL inputs\*
- Up to 4 Relay / Analog (4-20mA; 0-12Vdc) Outputs\*
- Up to 4 Analog Inputs\*
- Dual Power inputs, or optional POE
- Reports SNMP (v1, v2c, and v3) to multiple managers (T/Mon, HP OpenView, etc.)
- Sends Email Notifications over LAN
- DIN mount
- Reports to T/Mon over LAN and/or 33.6 Modem
- Convenient and secure web browser interface for configuration and monitoring
- D-Wire Sensor Option (supporting up to 15 sensors) with history logging
- Telco-grade: Built to last
- 30 day money back guarantee



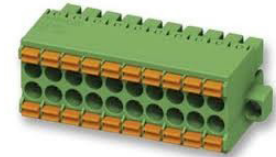
## NetGuardian DIN Ports:



Overview of the NetGuardian DIN.



DIN rackmountable



Includes two high-density pluggable connectors

## NetGuardian DIN DX:

Need your NetGuardian DIN to have more capacity? Now you can expand the capacity of your DIN with the NetGuardian DIN DX. Each expansion unit has 8 alarms, 4 analogs and 4 controls. You can daisy-chain up to three expansion units to your base unit, giving you up to 4 times the original capacity of your base NetGuardian DIN.

Units	Alarms	Analogs	Controls
<b>Base Unit</b>	8	4	4
<b>+1 DX</b>	16	8	8
<b>+2 DXs</b>	24	12	12
<b>+3 DXs</b>	32	16	16

## Specifications:

<b>Discrete Alarms:</b>	Up to 8 (TTL only)
<b>Analog Inputs:</b>	Up to 4
<b>Control Relay Outputs:</b>	Up to 4 (relays or 4-20mA or 0-12Vdc)
<b>Relay Max Voltage:</b>	60VDC / 120VAC
<b>Relay Max Current:</b>	1 Amp, AC/DC
<b>Ping Alarms:</b>	32
<b>*Power Inputs:</b>	+/- 12/24/48 VDC
<b>Current Draw:</b>	600mA @ -48VDC
<b>Fuse:</b>	Resettable Internal
<b>*Protocols:</b>	SNMP(v1, v2c, v3), DCPx, TELNET, HTTP, HTTPS, TTY, TRIP, ICMP

<b>*Interfaces:</b>	1 RJ45 10/100 BaseT 1 USB craft port 2 High Density pluggable alarm input connectors 1 RJ11 for D-Wire 1 RJ11 Telco Modem 2 Pluggable RIA power connectors
<b>Operating Temp:</b>	32°-140° F (0°-60° C)
<b>Operating Hum:</b>	0% -95% non-condensing
<b>Visual Interface:</b>	8 LEDs,
<b>Audible:</b>	N/A
<b>RoHS:</b>	5 of 6
<b>MTBF:</b>	60 Years
<b>Dimensions:</b>	2.1" H x 7.250" W x 5.150" D
<b>Weight:</b>	1.13 lbs
<b>Mounting:</b>	DIN mount (wall mount option - brackets sold separately)

## \*Other Features and Options:

Telco dialup  
Internal temp sensors  
Battery & voltage monitoring  
Industrial operating temperature  
RS232/485/202

D-Wire ports  
+12/+24 sensor power  
Power Over Ethernet  
(IEEE 802.3af-2003 provides 13 watts)



Sales: (800) 622-3314 Support: (559) 454-1600

www.dpstele.com