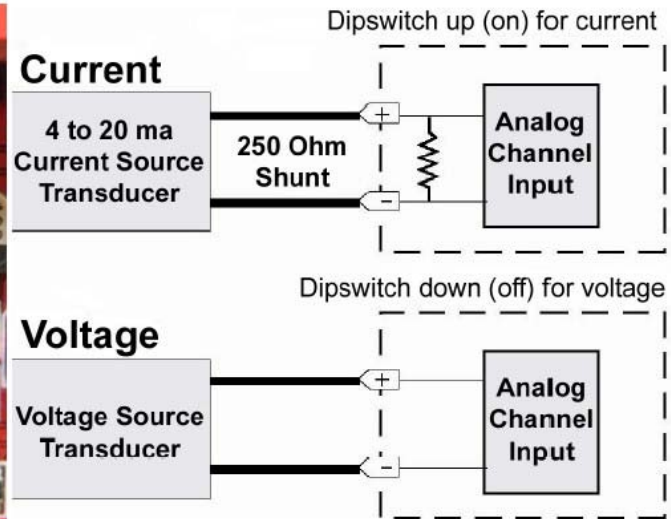
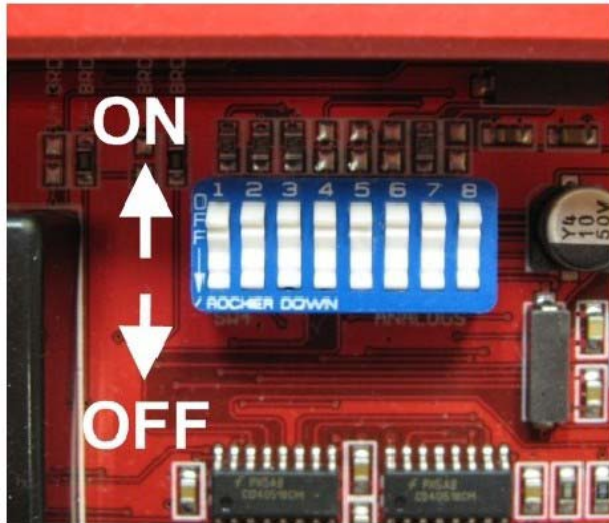
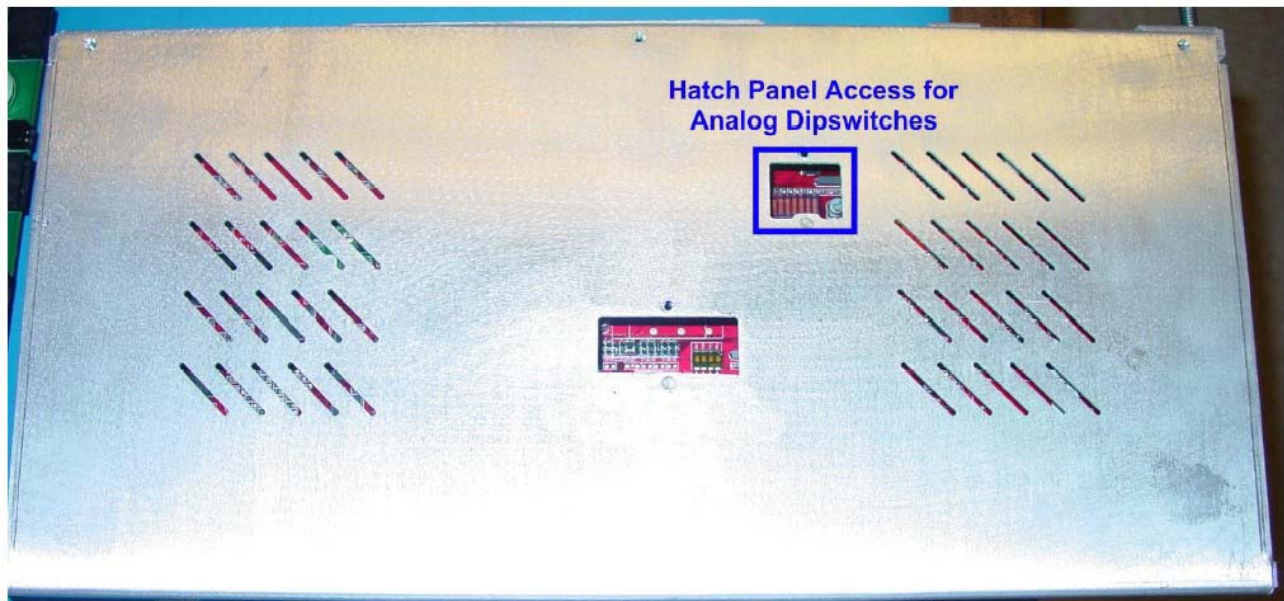


Addendum to NetGuardian 832A/864A G5 User Manual

Analog Dipswitches (Section 6.6.7 of User Manual)



The analogs are controlled by the dipswitches accessible via the top sliding panel. For milliamp sensor operation (current loop), turn the dipswitch on by placing it in the up (ON) position. For voltage operation, place the dipswitch in the down (OFF) position.



You can access the analog dipswitches via the sliding hatch panel on top of the unit.



WARNING: Do not put the dipswitches in the upward, ON position (current loop mode) unless you are sure of the analog setting. Having the dipswitch on puts a 250 ohm resistor across the input lines. Any voltage beyond 5V or 20 mA will damage components.